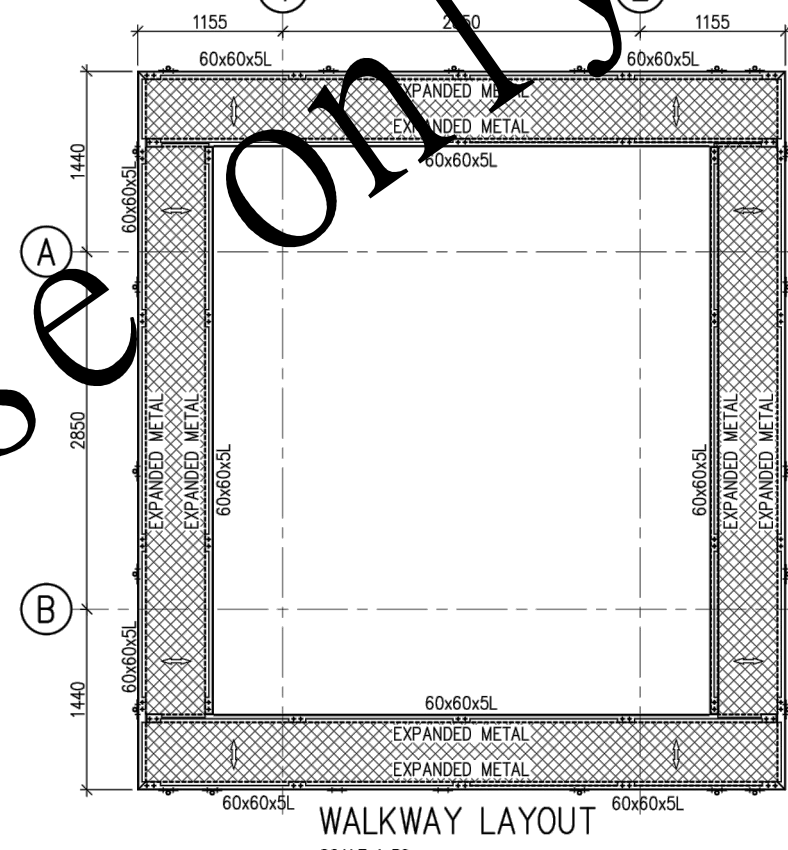
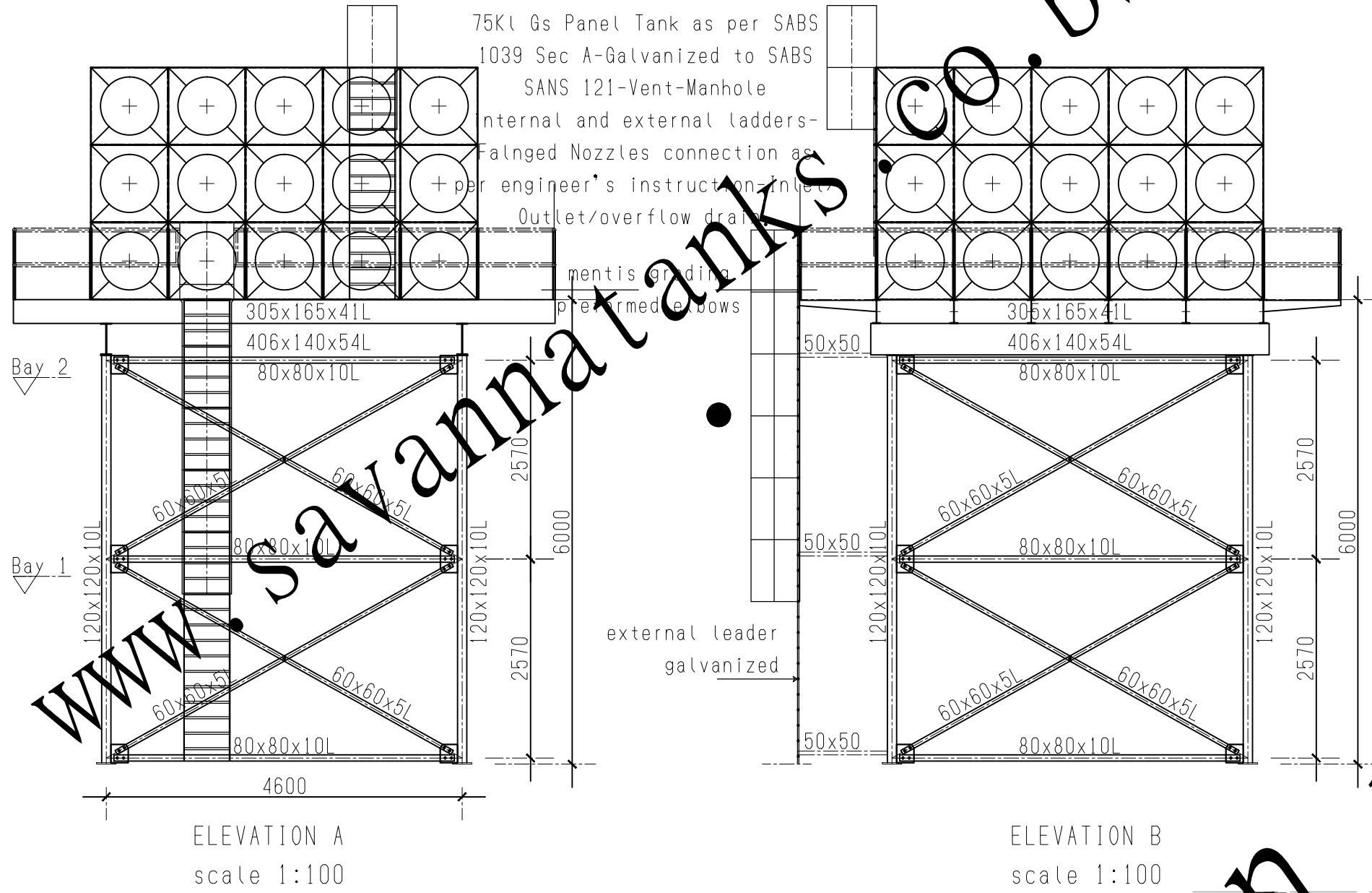


1. This drawing is a proposed drawing for discussion only

contact www.savannatanks.co.bw

for proper drawings with engineer certification



CONCRETE GRADES

THE FOLLOWING CONCRETE GRADES ARE TO BE ADOPTED FOR CONSTRUCTION.

- 1/ ALL MASS CONCRETE FILL AND BLINDING LAYERS GRADE 15MPa.
- 2/ ALL FOUNDATION SLABS GRADE 30MPa.
- 3/ ALL DWARF WALLS GRADE 30MPa.

GENERAL SPECIFICATION

NOTES ON FOUNDATION CONSTRUCTION

- 1/TOPSIDE OF RAFT TO BE 50MM ABOVE FINISHED GROUND LEVEL TO ALLOW FOR DRAINAGE.
- 2/ SOIL UNDER RAFT TO BE CAPABLE OF SUSTAINING A MIN. ALLOWABLE BEARING PRESSURE OF 100kPa WITHOUT FAILURE OR EXCESSIVE SETTLEMENT.
- 3/MAKE UP ANY OVER EXCAVATED AREAS TO UNDERSIDE OF RAFT FOUNDATION AND ASSOCIATED STRUCTURE WITH CEMENT STABILISED (5% BY WIEGHT) SELECTED INERT NON-EXPANSIVE MATERIAL, COMPACTED IN LAYERS NOT EXCEEDING 150mm.
- 4/ONLY OR 1/500 DEFLECTION ALLOWED

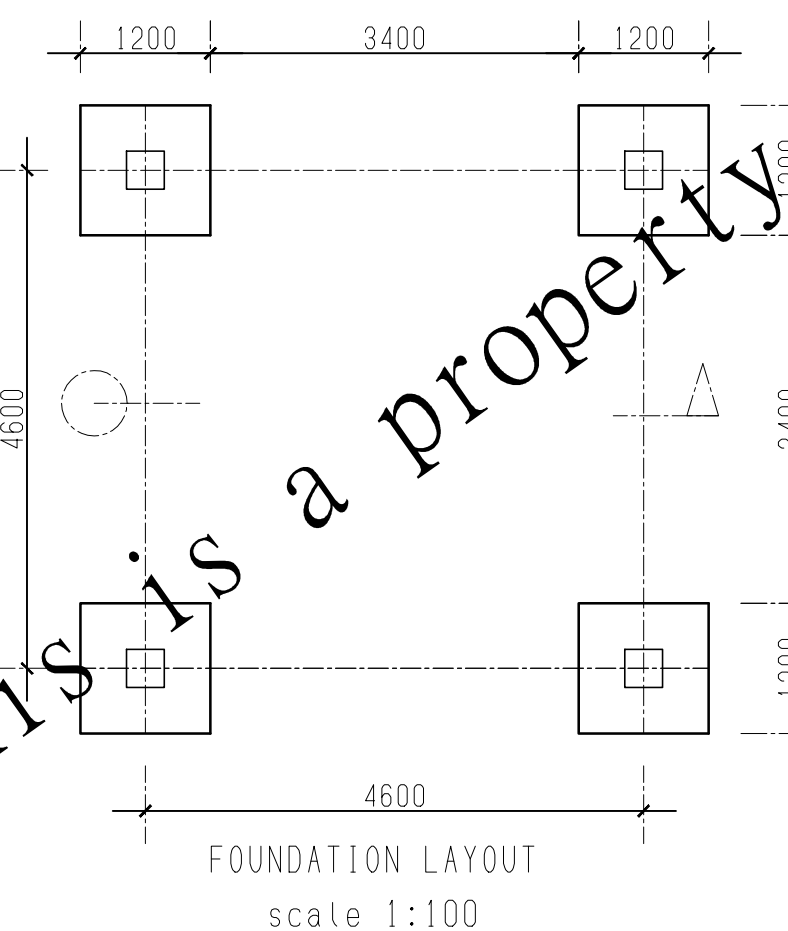
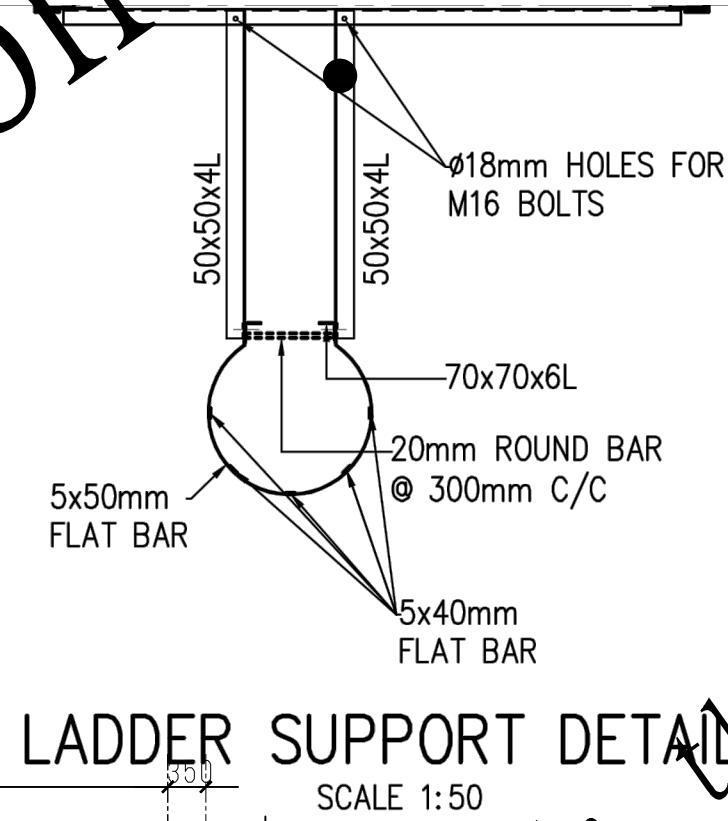
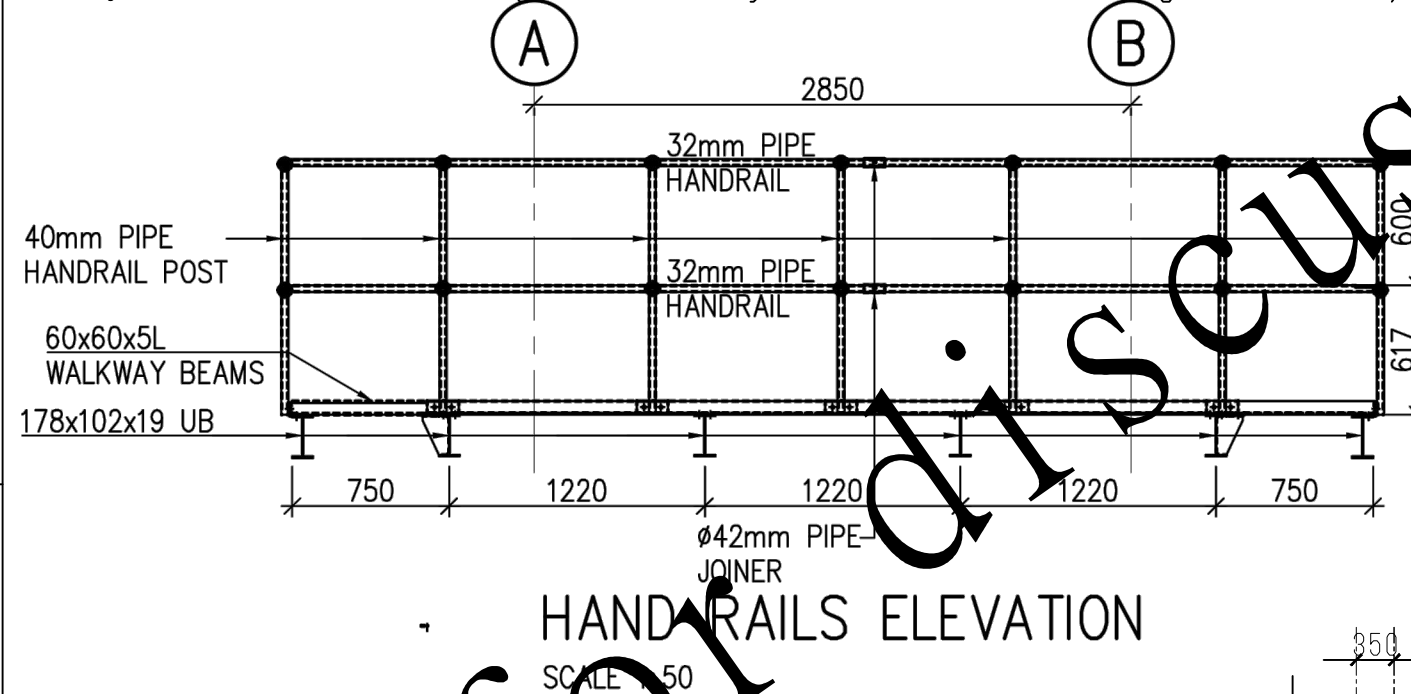
REINFORCED CONCRETE WORK

- 1/ALL UPSTAND BEAMS 200 WIDE
- 2/ALL EXPOSED CONCRETE TO HAVE SMOOTH OFF SHUTTER FINISH U.N.O.
- 3/ALL EXTERNAL CORNERS TO HAVE 30mm CHAMFERED FINISH.
- 4/ALL CONCRETE TO BE GRADE 30MPa.

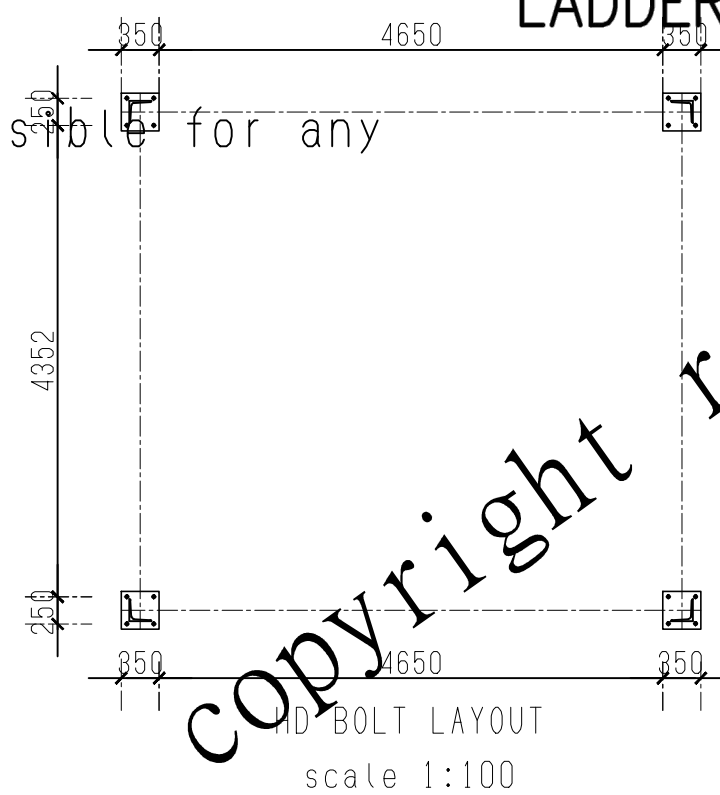
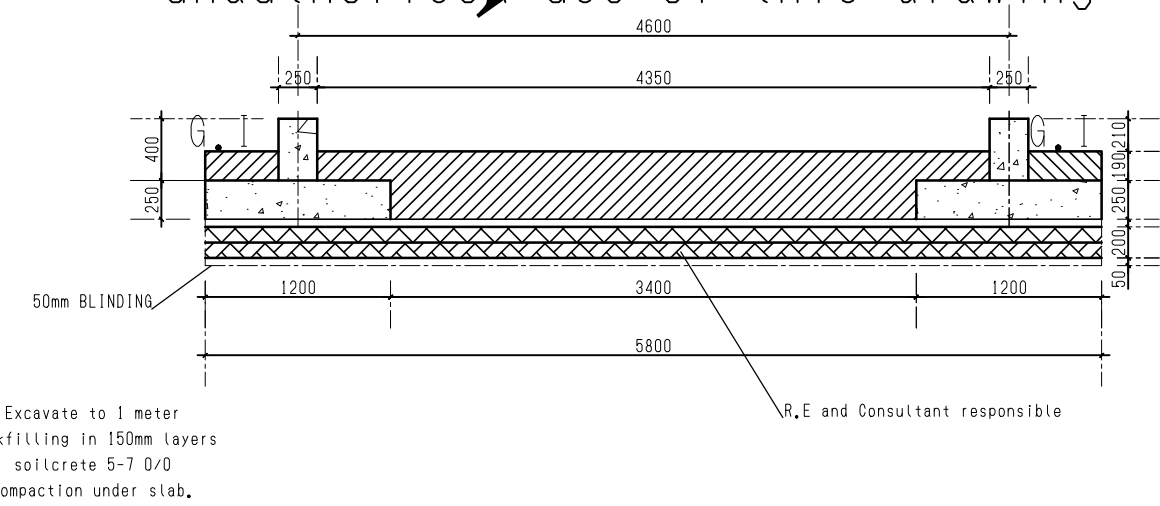
NOTES ON REINFORCEMENT

- 1/COVER TO REINFORCEMENT
40mm COVER TO BASE SLAB
30mm COVER TO DWARF WALL/BEAM
- 2/ENGINEER TO INSPECT AND APPROVE FINAL STEEL FIX PRIOR TO CASTING CONCRETE.
- 3/ALL REINFORCEMENT STEEL TO COMPLY WITH BS4449, BS4482 & BS4483.
- 4/MINIMUM LAP LENGTH 50 x BAR DIAMETER U.N.O.
- STRUCTURAL STEELWORK**
- 1/ALL STEELWORK FOR CAST IN PLATES, SPRAGS, FLAT BAR ETC. TO BE IN ACCORDANCE WITH SABS 1431 GRADE 300WA OR SIMILAR APPROVED.
- 2/ALL WELDS TO BE MIN. 6mm CONTINUOUS FILLET U.N.O.
- 3/FABRICATION, WORKMANSHIP ETC. TO BE IN ACCORDANCE WITH SABS 1200M
- 4/ALL BOLTS TO SABS 1700 (ISO4016)

2. The drawing is subjected to change at any time



3. Savanna Tanks not to be held responsible for any unauthorised use of this drawing



This drawing is vested in & is property of V.C.I it shall not be traced, copied or reproduced in any manner whatsoever without written consent.

CLIENT ;

Project Title

75KI STEEL TANK ON 6M STAND

Savanna Tanks™

Water Solutions for Africa

A DIVISION OF
VCI
VANCOUVER CONSOLIDATED INVESTMENTS

Head Office
P/Bag Bo 273
Gaborone
Botswana
vci@global.com

REV

A

(Ers. f.:)

(Ers. d.:)

Datum Name multi-view detail plan