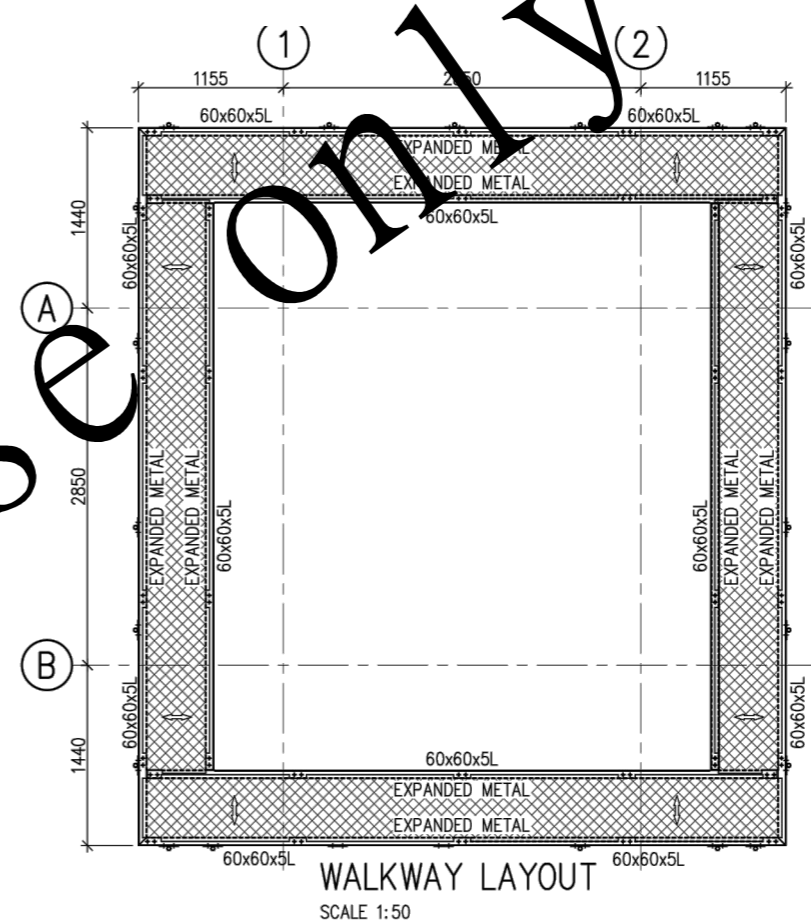
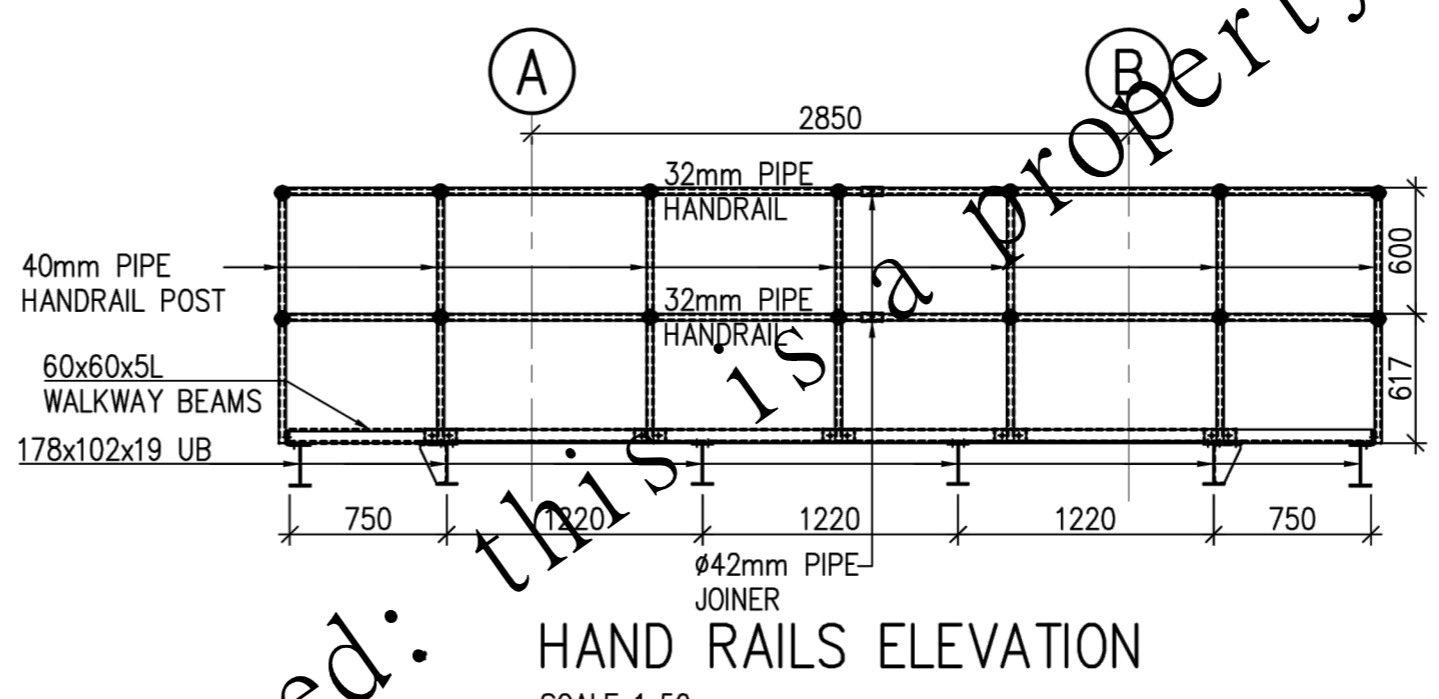


LADDER SUPPORT DETAIL  
SCALE 1:50



WALKWAY LAYOUT  
SCALE 1:50



HAND RAILS ELEVATION  
SCALE 1:50

contact [www.savannatanks.co.bw](http://www.savannatanks.co.bw)  
for proper drawings with engineer certification

**CONCRETE GRADES**

- THE FOLLOWING CONCRETE GRADES ARE TO BE ADOPTED FOR CONSTRUCTION.
- 1/ ALL MASS CONCRETE FILL AND BLINDING LAYERS GRADE 15MPa.
  - 2/ ALL FOUNDATION SLABS GRADE 30MPa.
  - 3/ ALL DWARF WALLS GRADE 30MPa.

**GENERAL SPECIFICATION**

- NOTES ON FOUNDATION CONSTRUCTION**
- TOPSIDE OF RAFT TO BE 50MM ABOVE FINISHED GROUND LEVEL TO ALLOW FOR DRAINAGE.
  - SOIL UNDER RAFT TO BE CAPABLE OF SUSTAINING A MIN. ALLOWABLE BEARING PRESSURE OF 100kPa WITHOUT FAILURE OR EXCESSIVE SETTLEMENT.
  - MAKE UP ANY OVER EXCAVATED AREAS TO UNDERSIDE OF RAFT FOUNDATION AND ASSOCIATED STRUCTURE WITH CEMENT STABILISED (5% BY WEIGHT) SELECTED INERT NON-EXPANSIVE MATERIAL, COMPACTED IN LAYERS NOT EXCEEDING 150mm.
  - ONLY OR 1/500 DEFLECTION ALLOWED

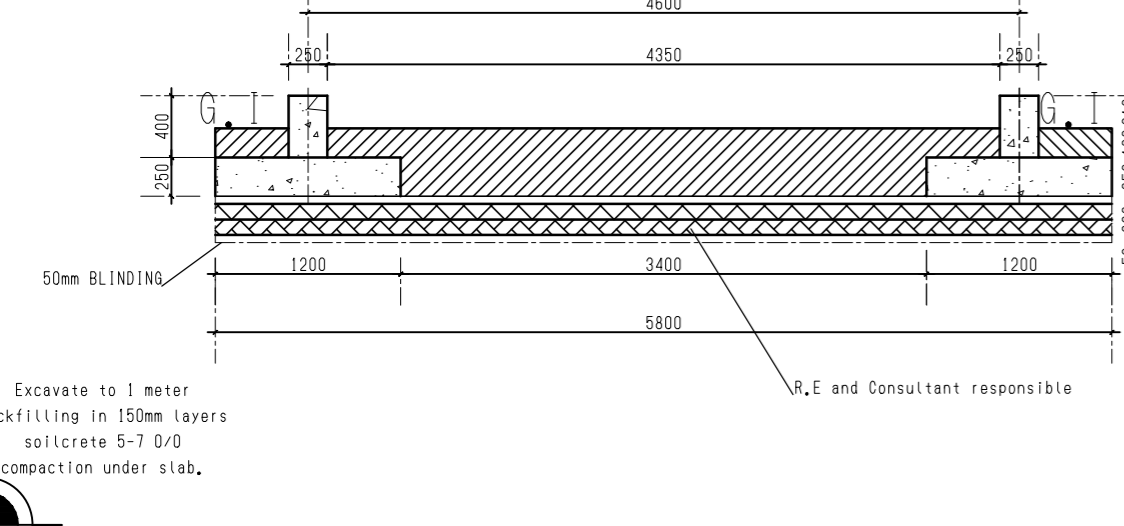
- REINFORCED CONCRETE WORK**
- ALL UPSTAND BEAMS 200 WIDE
  - ALL EXPOSED CONCRETE TO HAVE SMOOTH OFF SHUTTER FINISH U.N.O.
  - ALL EXTERNAL CORNERS TO HAVE 30mm CHAMFERED FINISH.
  - ALL CONCRETE TO BE GRADE 30MPa.

- NOTES ON REINFORCEMENT**
- COVER TO REINFORCEMENT
  - 40mm COVER TO BASE SLAB
  - 30mm COVER TO DWARF WALL/BREAM

- ENGINEER TO INSPECT AND APPROVE FINAL STEEL FIX PRIOR TO CASTING CONCRETE.
- ALL REINFORCEMENT STEEL TO COMPLY WITH BS4449, BS4482 & BS4483.
- MINIMUM LAP LENGTH 50 x BAR DIAMETER U.O.N.

- STRUCTURAL STEELWORK**
- ALL STEELWORK FOR CAST IN PLATES, SPRAGS, FLAT BAR ETC. TO BE IN ACCORDANCE WITH SABS 1431 GRADE 300WA OR SIMILAR APPROVED.
  - ALL WELDS TO BE MIN. 6mm CONTINUOUS FILLET U.N.O.
  - FABRICATION, WORKMANSHIP ETC. TO BE IN ACCORDANCE WITH SABS 1200M
  - ALL BOLTS TO SABS 1700 (ISO4016)

3. Savanna Tanks not to be held responsible for any unauthorised use of this drawing



Excavate to 1 meter backfilling in 150mm layers soilcrete 5-7 0/0 compaction under slab. R.E and Consultant responsible

this is a property of savanna tanks  
copyright reserved

This drawing is vested in & is property of V.C.I it shall not be traced, copied or reproduced in any manner whatsoever without written consent.

CLIENT ;

Project Title  
75KI GRP TANK ON 15M STAND

**Savanna Tanks**™  
Water Solutions for Africa  
A DIVISION OF  
**VCI**  
VANCOUVER CONSOLIDATED INVESTMENTS  
Head Office  
P/Bag Bo 273  
Gaborone  
Botswana  
vci@global.com

REV
A

Datum Name multi-view detail plan (Ers. f. :) (Ers. d. :)